

M29 SELECTRON TALL VERSION FOR HIGH CUPS



Automatic shot dosing, automatic boiler refill, built-in volumetric pump, 2 stainless steel steam arms, automatic dosing hot water tap with hot water economizer.
Optional: computer interface, electric cup-warmer.

LA Cimbali

ESPRESSO COFFEE AND CAPPUCCINO PROFESSIONAL MACHINES SINCE 1912

To be the world leading manufacturer and distributor of professional espresso coffee equipment, by offering a superior quality product range supported by a capillary after-sales service.

To significantly contribute to the worldwide development of specialty coffee culture by delivering to the consumer the best espresso coffee based experience through relationships with customers based on mutual respect and on common long term goals.

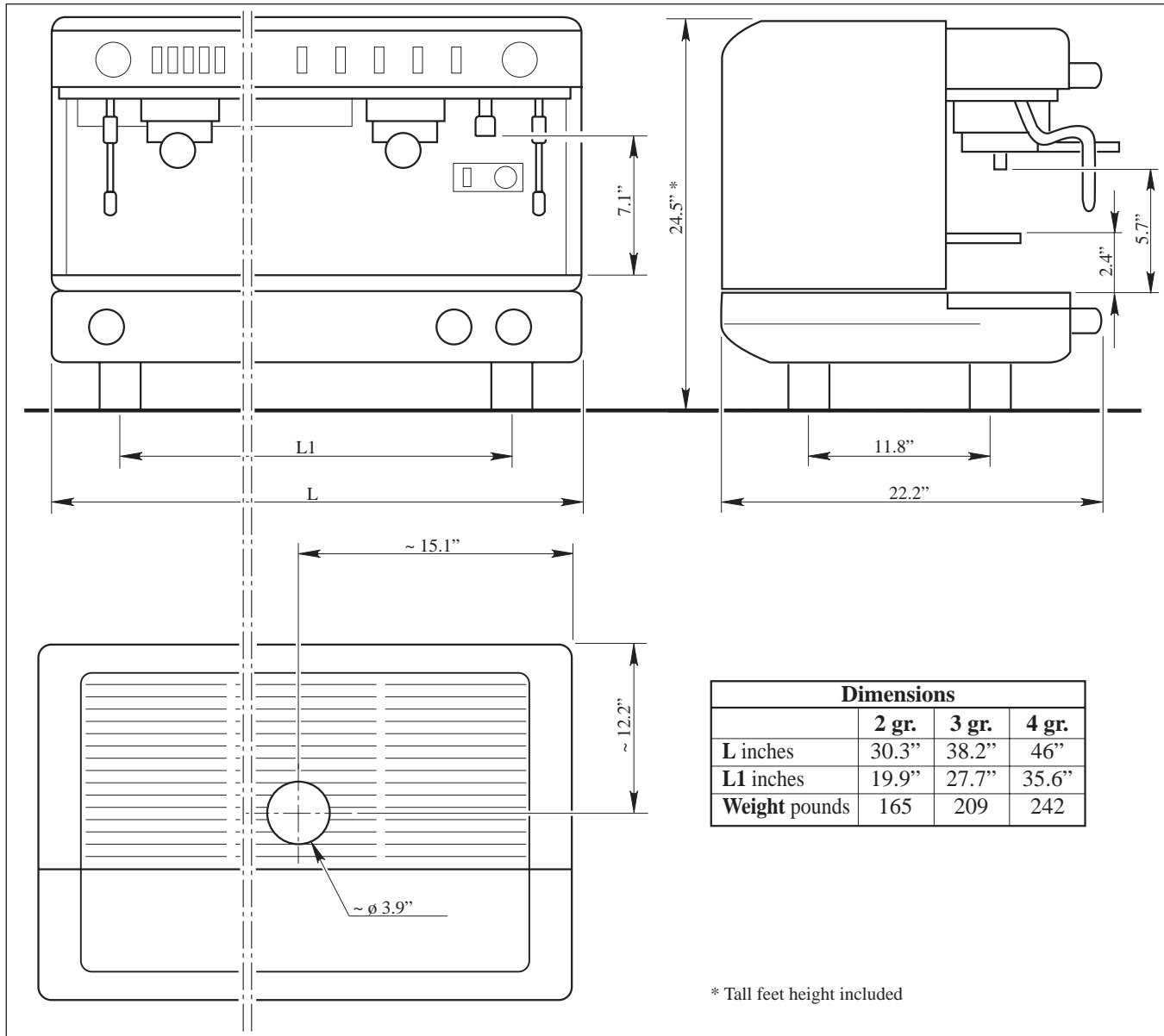
SERVINGS	
Portion size	Your figures
Selling price
Less food cost
Profit
Multiply serving per day	X
Profit per day
Multiply days open per year	X
Profit per year

Please, use the above chart to check your own profit potential.



on demand

M29 SELECTRON TALL VERSION FOR HIGH CUPS



The manufacturer reserves the right to modify the appliances presented in this publication without notice.

Automatic shot dosing, automatic boiler refill, built-in volumetric pump,
2 stainless steel steam arms, automatic dosing hot water tap with hot water economizer.
Optional: computer interface, electric cup warmer.

Model	Voltage	Max Power	Amps	Width	Height	Depth	Weight	Boiler capacity
M29 SELECTRON DT/2	208-240V	4200-5500W	30 Amps single-phase	30.3 inches	24.5 inches	22.2 inches	165 pounds	2.6 gal.
M29 SELECTRON DT/3	208-240V	6050-8400W	50 Amps single-phase	38.2 inches	24.5 inches	22.2 inches	209 pounds	4 gal.
M29 SELECTRON DT/4	208-240V	6050-8400W	50 Amps single-phase	46 inches	24.5 inches	22.2 inches	242 pounds	5.3 gal.

LA CIBALI

Cimbali S.p.A. Via A. Manzoni 17 - 20082 Binasco (MI) - Italy
www.cimbali.it - cimbali@cimbali.it
Toll Free: 1-800-7 CIBALI